



UNEVN BASE – User & Technical Manual 2026 Edition

Version 2.1.02 — March 16, 2026

All rights reserved. No part of this manual may be reproduced or copied in any form or by any means (electronic, mechanical, graphic, photocopying, recording, taping or other information retrieval systems) without the prior written permission of the copyright owner.



ABOUT THIS MANUAL

This user manual contains important information and instructions for the safe use of the product. All users involved in the use, installation, maintenance, repair and disassembly of UNEVN BASE must read and understand this manual before working with the product.

Make sure that the product is only used in the correct conditions and in the correct way for the safety of both people and property. If you have any questions, contact UNEVN or your reseller.

NOTICE

NOTICE



Read this manual before using UNEVN BASE. Improper setup, installation or transport may result in damage to the product or personal injury.

This document is structured in three main parts:

- **Important product and safety information** – general rules, operating conditions and hazard symbols.
- **User operation** – how to set up the desk, open the lid, raise the monitor and start the system.
- **Technical information** – component layout, recommended service tasks, specifications and warranty.

UNEVN Oy
Email: contact@unevn.gg
Address: Fallåker 1 D, 02740 Espoo, Finland
VAT: FI27522247
© UNEVN Oy

Contents

1	Important product information	4
1.1	Product revision	4
1.2	Location of the type plate and serial number	4
1.3	Intended use	4
1.4	Non-conventional use	4
1.5	Power switch location	4
1.6	Warranty information	4
2	Safety information	5
2.1	Signal words and symbols	5
2.2	General safety rules	6
2.3	Main risks related to installation, use, maintenance and disassembly	6
2.4	Ergonomics and lifting	6
2.5	Pinch points and moving parts	6
2.6	Maximum loads and stability	7
2.7	Hot surfaces	7
2.8	Magnetic field	7
2.9	Before first use and inspections	7
2.10	Warning labels and their locations	7
2.11	Operating conditions	7
2.12	Recommended storage conditions	8
2.13	Transport temperature limits	8
3	Delivery content	8
3.1	Packaging content	8
3.2	Optional accessories	8
3.3	Packaging dimensions	8
4	Product overview	9
4.1	Technical features (component map)	9
5	Setting up for use	10
6	Transport and lifting	10
6.1	Before transport	10
6.2	Manual lifting	10
6.3	Long-distance transport	10
7	Desk setup (quick guide)	11
7.1	Unfolding the legs	11
7.2	Raising the desk	14
7.3	Opening the lid	16
7.4	Monitor setup	17
8	Basic connections and power-up	19
8.1	External connections	19
8.2	Power-up sequence	19
9	Shutdown and closing	19
9.1	Normal shutdown	19
9.2	Closing the lid	19
10	Component installation overview	20
10.1	Access for technicians	20
10.2	Motherboard and GPU area	20
10.3	Service recommendations	20

11 Maintenance and cleaning	20
11.1 Desk surface	20
11.2 Airflow and dust	20
11.3 Setting up for storage and transportation	20
11.4 Long-term storage	20
12 Technical Specifications	21
13 Compliance and certifications	22
14 Environmental information and disposal	23
15 Warranty and support	23
15.1 Warranty coverage	23
15.2 Warranty exclusions	23
15.3 Limitation of liability	23
15.4 Support and contact	24
16 About UNEVN	24

IMPORTANT PRODUCT INFORMATION

Product revision

This manual is valid for the following product revision:

Product ID	Revision
UNB2B 2.0	2.0

The Product ID **UNB2B** identifies the base chassis generation (BASE 2.0). The exact model variant (such as BASE Gamer, Supreme, Extreme, Education or Custom configurations) is encoded in the product's internal identification data and linked to the serial number.

Location of the type plate and serial number

The product type plate (including barcode, Product ID and Serial Number) is located under the right-side internal cover, beneath the PSU power cable and the monitor power adapter compartment.

The serial number and barcode allow UNEVN to retrieve the exact configuration of your unit, including the model variant, installed components and revision history. If you require support or need to confirm the exact model of your UNEVN BASE, please provide the serial number shown on the type plate.

Do not remove, cover or modify these labels, as they are required for warranty, service and compliance identification.

Intended use

The portable gaming desk case is intended **exclusively for indoor use and seated operation**. Use UNEVN BASE only as described in this user manual.

The product is intended for users over the age of 13 years. Adult supervision is required for users under the age of 18.

Only use certified and market-approved computer components with the product. Use only the form-factor components described in this manual. Install components **only in the designated mounting locations**, and ensure that all components are mechanically and electrically compatible.

The product is intended for gaming, esports training, education and general PC use in indoor environments with stable temperature and humidity.

The product is **not intended for standing, climbing, leaning body weight on the lid or desk surface**, or any other load-bearing use outside the specifications in this manual.

Non-conventional use

Use the product only for the purposes and under the conditions specified in this manual. Follow all safety instructions when installing, operating or servicing the portable gaming desk.

It is strictly forbidden to use the portable gaming desk in any way or for any purpose other than those described here. Do not disassemble, modify or remove any parts of the product except those components specifically described as user-serviceable.

Do not modify or alter the electrical system, cabling, ventilation or mounting structures of the product. Unauthorised modifications may create safety hazards, void the warranty, or make the product non-compliant with regional regulations.

Power switch location

If your system configuration uses a power supply unit (PSU) with a rear rocker switch, the switch is located beneath the right-side internal cover. It is accessible only when the lid is open.

Always disconnect AC power before opening the lid or accessing the PSU area.

Warranty information

UNEVN BASE is covered by a limited manufacturer warranty against defects in materials and workmanship under normal, intended use.

Warranty duration

- **36 months:** standard warranty for products purchased for normal end-user or institutional use.
- **24 months:** warranty for products used in rental, leasing or commercial hire applications, unless otherwise agreed in writing.

For warranty limitations and detailed terms, see Section 15.

SAFETY INFORMATION

Signal words and symbols

This user manual uses three signal words to highlight safety-related information:

- **DANGER** indicates an imminently hazardous situation which, if not avoided, will result in death or serious injury.
- **WARNING** indicates a potentially hazardous situation which, if not avoided, could result in death or serious injury.
- **NOTICE** indicates a situation which, if not avoided, may result in minor injury or property damage.

In addition, the following general symbol categories may be used in product labels and illustrations:

- **Hazard symbol:** a black symbol inside a yellow triangle with a black border describes the type of hazard.
- **Prohibition symbol:** a black symbol inside a red ring with a diagonal red bar describes an action that must *not* be taken.
- **Mandatory action symbol:** a white symbol inside a blue circle describes an action that must be taken to avoid a hazardous situation.


Symbols used in this manual

This manual and the product illustrations may include the following types of symbols:


- general hazard
- electrical hazard
- hot surface and fire hazard
- maximum load / tip-over hazard
- ergonomic lifting / back strain hazard
- pinch or squeeze hazard
- read the instructions
- unlock / lock mechanisms
- desk height or tilt adjustment
- power button and power connection
- monitor and cable connection guidance

General safety rules

DANGER DANGER


 **Risk of electrocution.** Make sure that the main power cord is disconnected before performing any installation, maintenance or disassembly. Before using the product, ensure all cables are correctly connected and power cables are not damaged. If you detect any damage, stop using the product and contact UNEVN or your dealer immediately.

WARNING WARNING


 **Use UNEVN BASE only on a stable, level floor surface.** Do not climb or sit on the desk. Do not allow children to operate the product unattended. Ensure that the desk is securely positioned with the legs fully locked, whether used in a horizontal position or at an approved front-edge tilt as described in this manual.

Main risks related to installation, use, maintenance and disassembly

DANGER DANGER

 **Electric shock and short circuit.** To avoid short circuits, keep paper clips, screws, staples or other metallic objects away from the computer case, connectors, slots, sockets or circuitry. Do not place anything inside the computer case other than what is specifically described in this manual. Before touching anything within the computer case or connecting or removing any cables from computer components, ensure that all power cables are unplugged. If the power supply unit is broken, do not try to repair it yourself. Contact a qualified service technician, UNEVN or your retailer. Use only certified and market-approved components with the desk case.

WARNING WARNING


 **Fire hazard. Risk of severe burns.** Faulty electrical components can cause fires. Keep the product clear of flammable materials. Make sure that an appropriate and operational fire extinguisher or other fire suppression means are readily available at the site of use. If smoke is detected or there is a smell of melting or burning material, stop using the product immediately and unplug the main power cord if possible.

NOTICE NOTICE

Keep the AC power cord accessible at all times. Do not route the power cord in a way that makes it difficult to reach or disconnect. The cord must remain visible and unobstructed so it can be unplugged immediately in an emergency or if abnormal heat, smell or smoke is detected.


Ergonomics and lifting

WARNING WARNING

 **Ergonomic hazard. Risk of injury.** UNEVN BASE is heavy. For short lifts, the integrated carry handle may be used, provided that the user is able to lift the product safely and without strain. For longer distances or frequent transport, the product should be carried by two people or moved using an appropriate wheeled case or carry bag. Always proceed with caution while moving the product to avoid injury or damage to property.


Pinch points and moving parts

WARNING WARNING

 **Pinch hazard. Risk of injury to hands.** Keep hands and fingers away from the edges of the lid when opening or closing it. Keep fingers clear of hinges, magnetic contact areas and locking mechanisms when folding the legs or preparing the monitor stand. Ensure that no cables or objects are between metal parts during movement.


Maximum loads and stability

NOTICE**NOTICE**

 **Maximum load and stability.** Do not sit or stand on the desk, and do not place heavy objects on the lid or work surface. This may cause damage or instability. Do not use monitors over 5 kg on the monitor stand. Ensure that the desk is placed on a stable floor surface and that the legs are fully locked, whether used horizontally or in an approved front-edge tilt position.


Hot surfaces

WARNING**WARNING**

 **Hot surface hazard.** During prolonged use, the tempered glass window may become warm, reaching temperatures of up to approximately 50 °C. Avoid touching the glass during operation. After shutting down the system, allow the product to cool before moving, storing or transporting it. Ensure that airflow openings are not obstructed during use.

Magnetic field

WARNING**WARNING**

 **Magnetic components.** UNEVN BASE uses small neodymium magnets to secure the lid. Do not remove, ingest or allow children to handle loose magnets. Avoid placing magnetic storage media or sensitive medical devices directly against the magnet areas.

Before first use and inspections

Before first use and before each subsequent use, observe the following:

- Inspect the product before each use.
- Make sure that the product has been appropriately commissioned and inspected before the first use.
- Make sure that there are no signs of wear, corrosion or deformation that could compromise the safe use of the portable gaming desk case.
- Do not use the product if the markings on the type plate or the warning labels are unreadable. If the condition of the product is unclear, contact UNEVN for assistance.
- Make sure that the product has been installed according to the instructions in this manual.

Warning labels and their locations

UNEVN BASE includes only the mandatory identification labels required for regional compliance (such as the type plate, serial number label and regulatory markings). These labels are located under the right-side internal cover near the PSU and monitor power adapter area.

The product does not use physical hazard symbols or warning stickers. All safety instructions and hazard information are provided in this user manual. Do not remove, cover or modify the identification labels.

Operating conditions

UNEVN BASE is designed for indoor use in typical office, educational and recreational environments. The product must be used on a stable and level floor surface with adequate ventilation around all air inlets and outlets.

Recommended operating conditions:

- Temperature: 10–30 °C
- Relative humidity: 20–80% (non-condensing)
- Altitude: up to 2000 m

Do not use the product outdoors, in high-dust industrial areas, in environments with high moisture, or in areas exposed to direct sunlight or excessive heat. Avoid placing the desk near heaters or strong sources of vibration.

If condensation is suspected (for example after moving the unit from a cold to a warm environment), allow the product to reach room temperature and fully dry before powering it on.

Recommended storage conditions

When the product is stored for extended periods, keep it in a dry, temperature-stable indoor environment. Storage conditions should not exceed the following limits:

- Temperature: 0–40 °C
- Relative humidity: 10–80% (non-condensing)
- Avoid rapid temperature changes that may cause condensation
- Store the product in its original packaging or equivalent protective materials
- Do not place heavy objects on top of the desk while stored
- Keep the desk in the horizontal position with the lid closed and locked (if applicable)

Before powering on the product after storage or transport, allow it to reach room temperature and ensure that no moisture or condensation is present inside the desk.

Transport temperature limits

During short-term transport, such as air freight or road shipping, the product may be exposed to wider temperature variations than during normal storage. The following conditions are acceptable for short-duration transport:

- Temperature: –20 °C to +45 °C
- Relative humidity: 10–90% (non-condensing)

After transport, allow the product to acclimate to room temperature before opening the lid or powering it on, especially if it has been exposed to cold conditions that may cause condensation.

DELIVERY CONTENT

Packaging content

Every UNEVN BASE unit is delivered **fully assembled** and ready for use. A standard shipment includes:

- **UNEVN BASE** (model as ordered)
- 1 × AC power cord (country-specific)

Optional accessories

Depending on the order, the shipment may also include optional accessories purchased separately:

- UNEVN Carry Bag
- UNEVN Mouse Pad or Custom Mouse Pad
- Lid Secure System (locking accessory)
- Additional cabling or adapter kits
- Monitor, peripherals or pre-installed PC components (if configured as part of the order)

All accessories are packed separately to protect the product during transport. If any items appear missing or damaged upon delivery, contact UNEVN or your reseller.

Packaging dimensions

Product model / ID	Package dimensions	Package weight
BASE 2.0 / UNB2B	116 × 70 × 25 cm	approx. 27–30 kg

The packaging dimensions and weight may vary slightly depending on configuration and optional accessories. All UNEVN BASE units are delivered fully assembled.

Approximate shipping weight (product with packaging and accessories) is 23–35 kg (50–77 lbs), depending on configuration.

PRODUCT OVERVIEW

UNEVN BASE is a portable, foldable high-performance workstation designed for esports, education and professional use. It combines a full-size desk surface with folding legs, an isolated internal compartment for PC components and cable routing, a recessed monitor area for a monitor arm or integrated display, and external connectivity for power, network and peripherals via the top I/O panel.

The product is intended for environments such as esports venues, bootcamps, schools, universities, training centres, hotels, gaming lounges and rental or travelling setups.

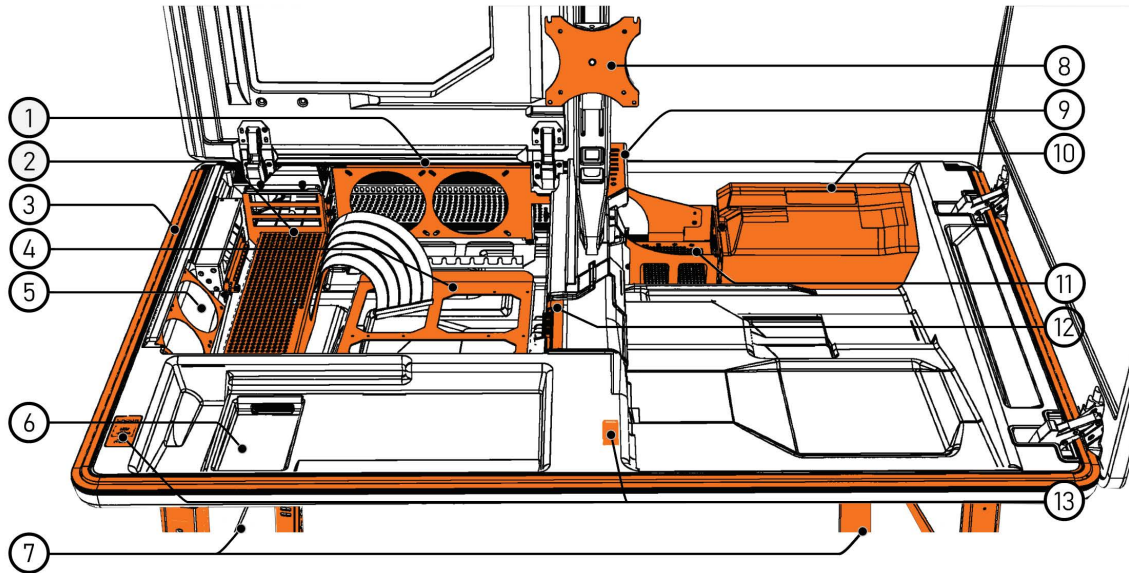


Figure 1: Internal component map of UNEVN BASE

Technical features (component map)

The internal chassis of UNEVN BASE includes the following key structural and component mounting features:

- | | |
|---|---|
| 1. Radiator / 240 mm cooler location | 8. Monitor arm mounting plate |
| 2. GPU mounting bracket | 9. I/O panel; USB, audio and power button |
| 3. Front edge frame (LED) | 10. Monitor power adapter bay |
| 4. Motherboard tray (mATX / Mini-ITX) | 11. PSU compartment |
| 5. Two 80 mm internal case fans (pre-installed) | 12. LED-hub (5 ports, ARGB) |
| 6. 2.5" SSD dock | 13. Magnetic lid lock area |
| 7. Height-adjustable leg hinge | |

SETTING UP FOR USE

Before using UNEVN BASE for the first time or after transport, follow the inspection and safety checks in Section 2, then:

- Open the package by pulling up the top cover.
- Follow the instructions of the quick guide illustrations.
- Save the original package for future transportation where possible.

TRANSPORT AND LIFTING

Before transport

Before moving UNEVN BASE, ensure the system is fully powered down and secured:

- Shut down the operating system and turn off the main power.
- Disconnect all external cables (power, network, USB, audio).
- Confirm that the lid is fully closed and any locks are engaged.
- Remove loose peripherals from both the desk surface and the internal compartment.

Manual lifting

**WARNING****WARNING**

Heavy item. Use two people whenever possible. Lift from the aluminium frame, never from the lid edges, hinges or monitor arm.

For frequent movement between rooms or venues, we recommend using a wheeled case or cart that supports the full footprint of the desk. Avoid carrying the unit over long distances without assistance.

Long-distance transport

For transport between buildings, cities or countries:

- Use a padded bag or hard case sized for UNEVN BASE.
- Protect edges and corners from impacts.
- Avoid stacking heavy items on top of the product.
- Keep the desk upright whenever possible.

If the product has been exposed to cold temperatures during transit, allow it to reach room temperature before opening the lid or powering it on.

DESK SETUP (QUICK GUIDE)

This section provides a visual quick guide for unfolding and setting up UNEVN BASE. Follow the steps in order. Detailed safety information is provided in Section 2.

Unfolding the legs

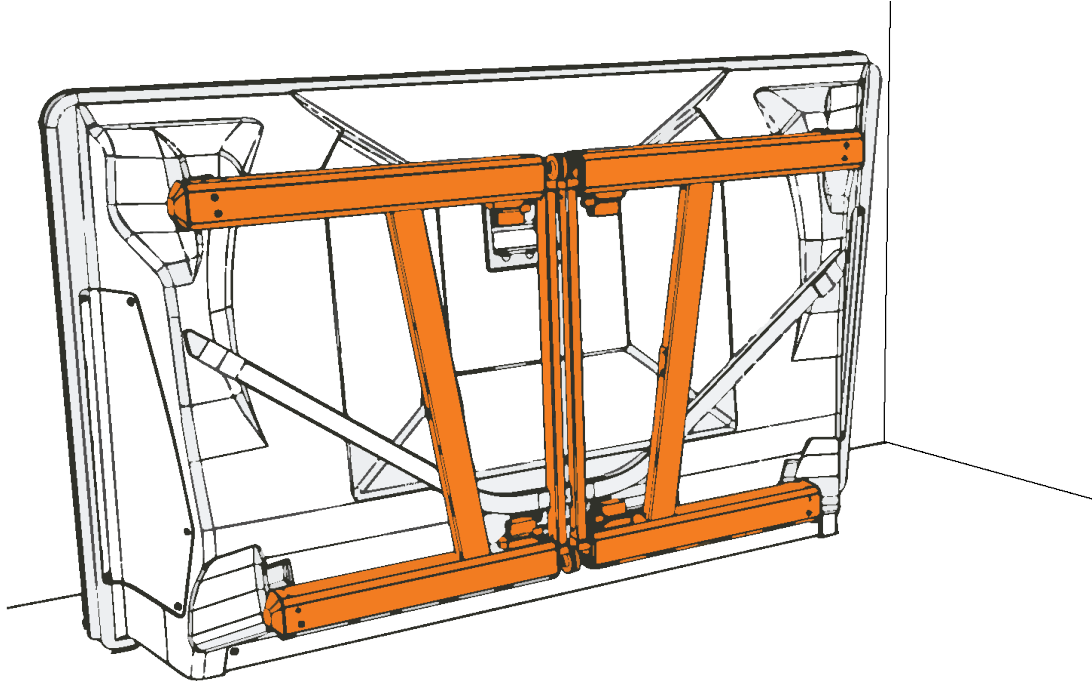


Figure 2: Place UNEVN BASE upside down on a clean, soft surface.

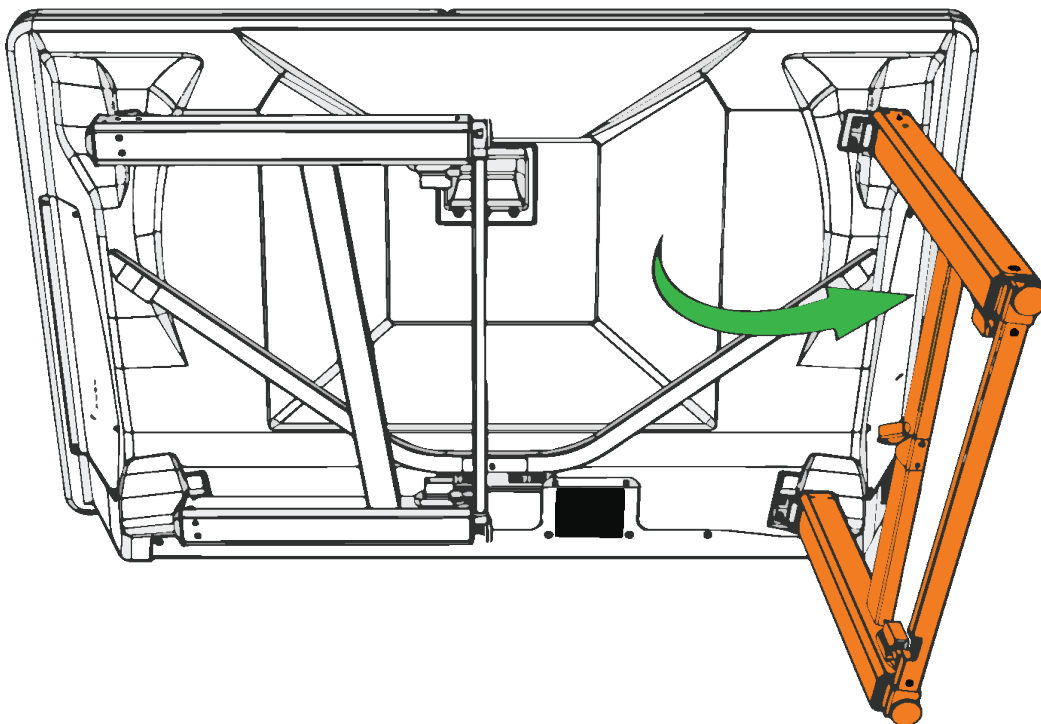


Figure 3: Unfold the right leg until it reaches its end position.

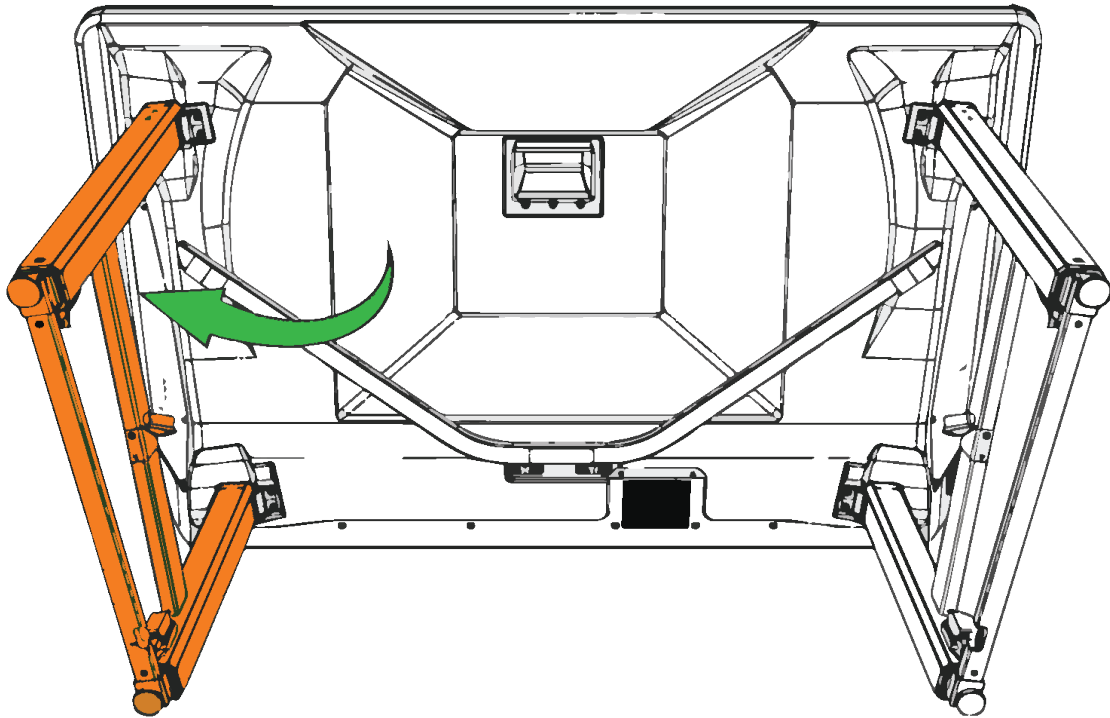


Figure 4: Unfold the left leg fully.

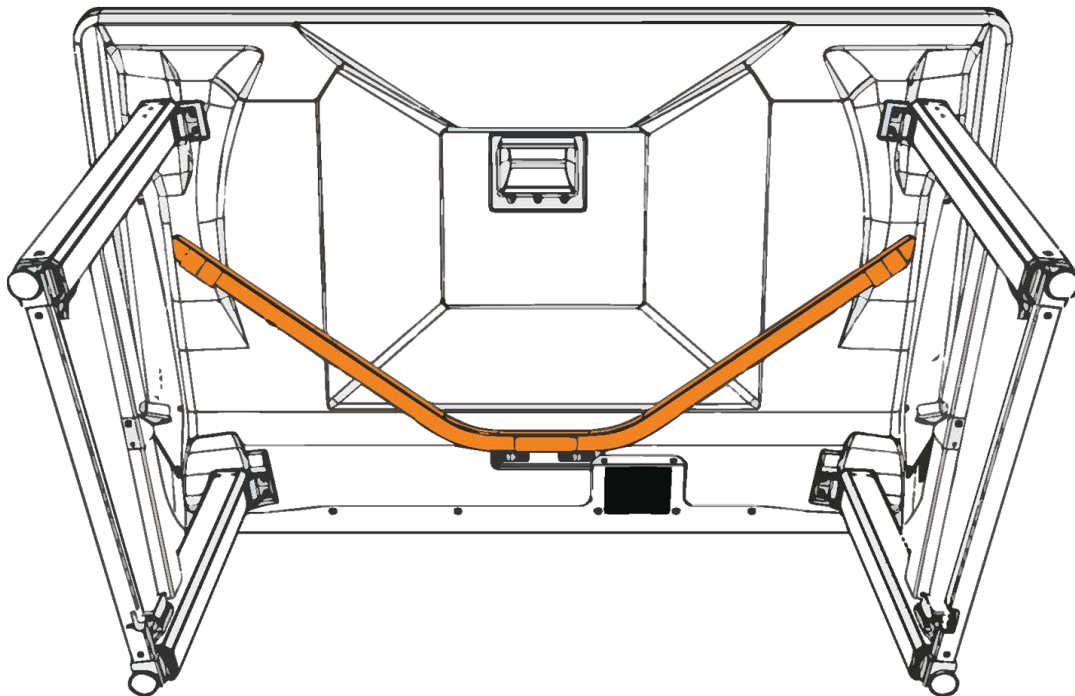


Figure 5: Unfold the middle support structure.

⚠ WARNING

WARNING

⚠ Check all leg locks before lifting. Make sure all legs and support structures are fully locked. An unlocked mechanism may collapse under load.

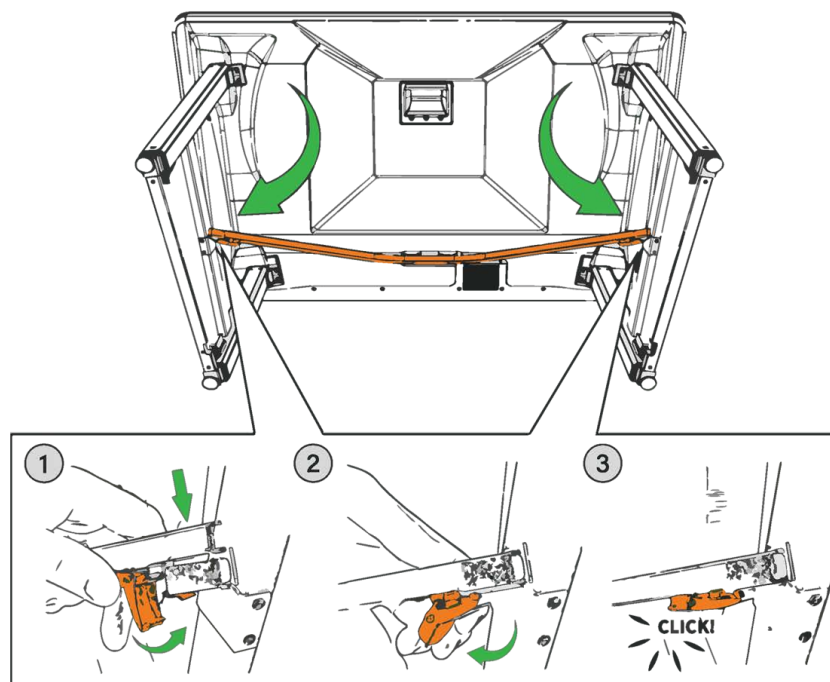
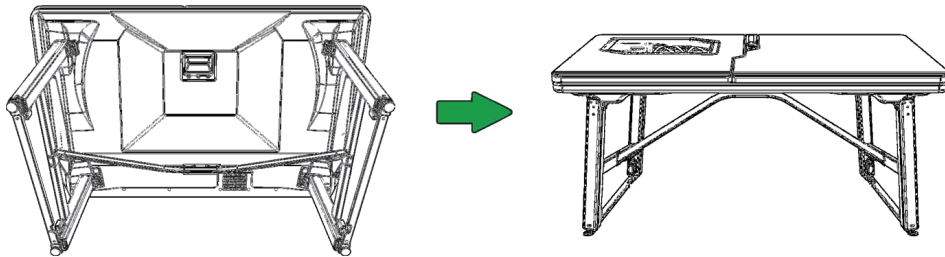
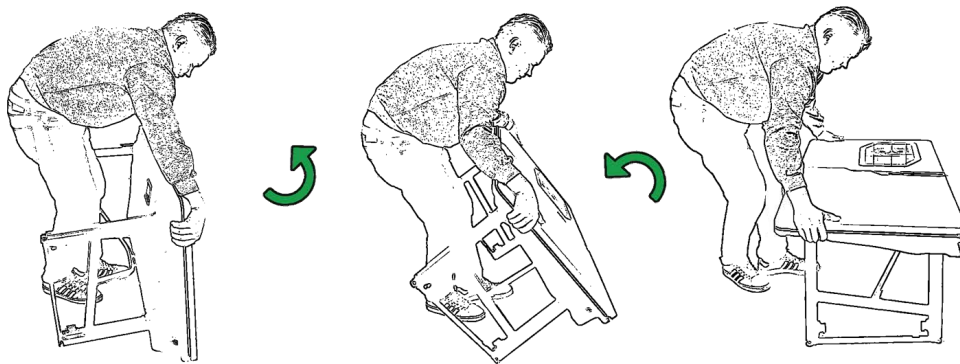


Figure 6: Lock the middle support securely in place.

Raising the desk



Prepare to rotate the desk into upright position.



Lift the desk from the frame and rotate it into the upright position.



WARNING

WARNING



Lifting hazard. UNEVN BASE can be rotated into the upright position by one person if proper lifting technique is used and the user is physically capable. For increased safety, two people are recommended. Always lift from the frame. Do not lift from the lid or monitor structure.

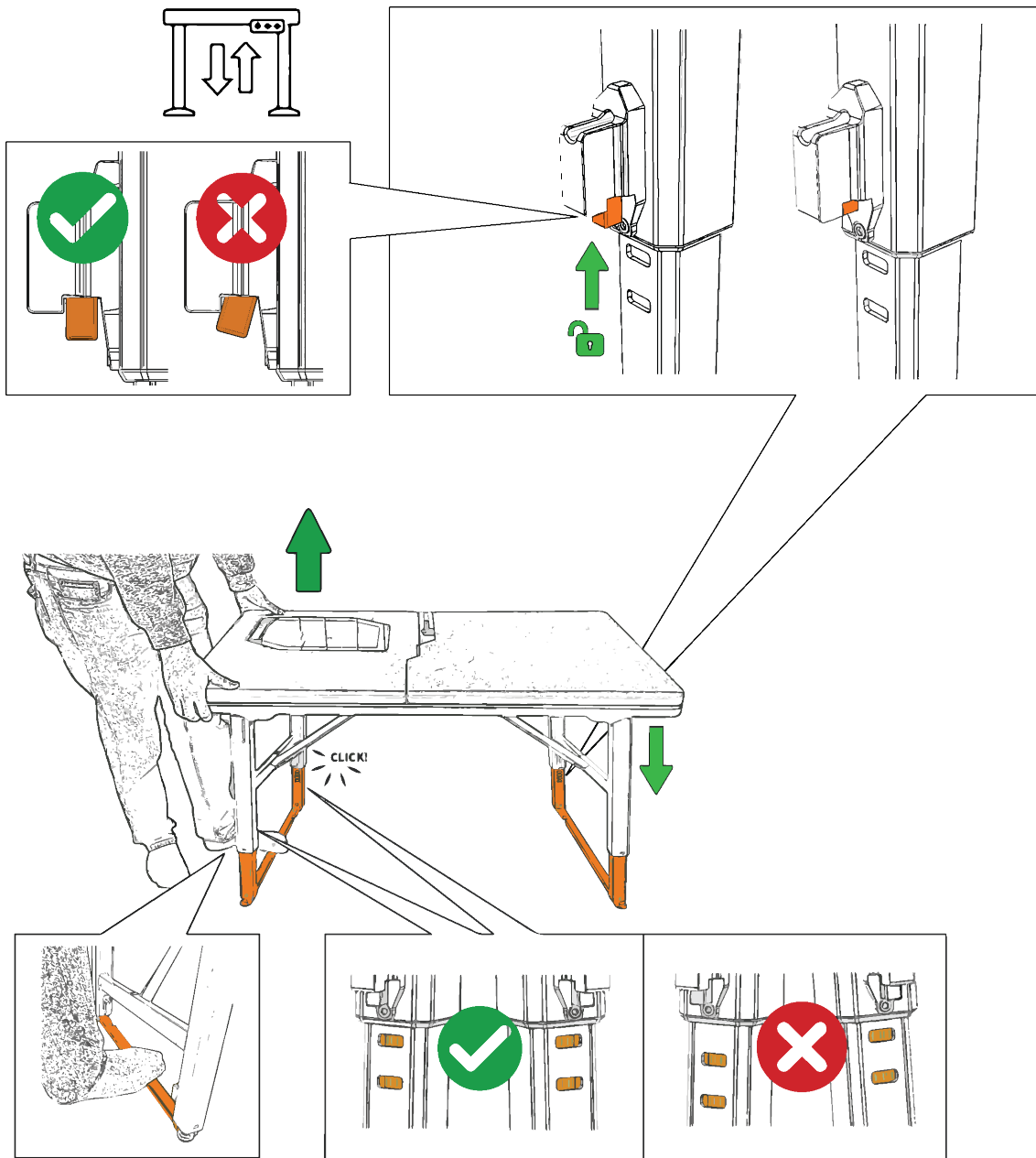


Figure 7: Adjust the desk height as required.

Opening the lid

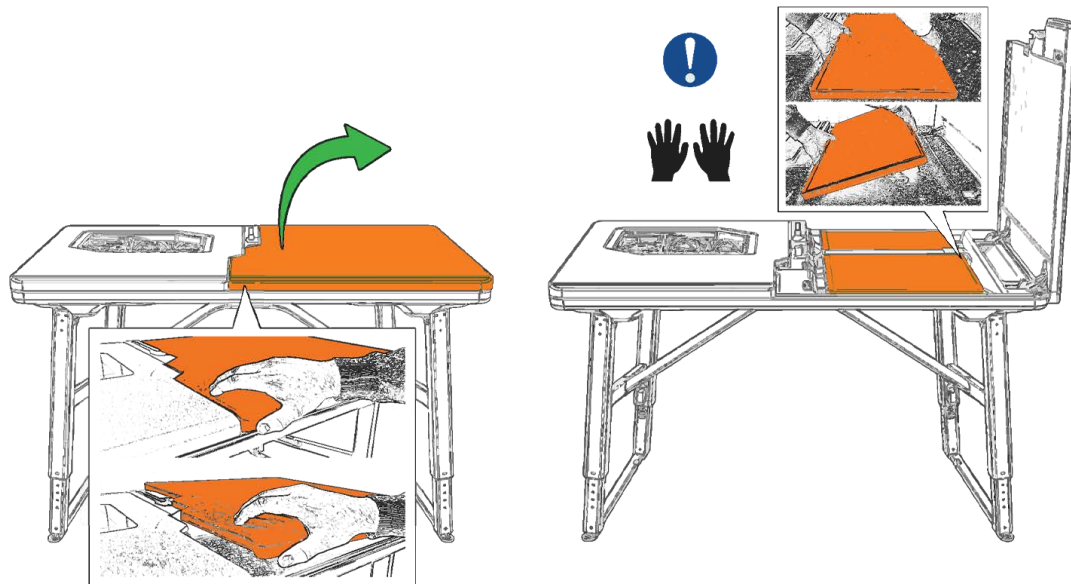


Figure 8: Open the lid fully until it reaches its end position.

WARNING WARNING

Pinch hazard. Keep hands and fingers clear of hinges and frame edges while opening the lid.

Monitor setup

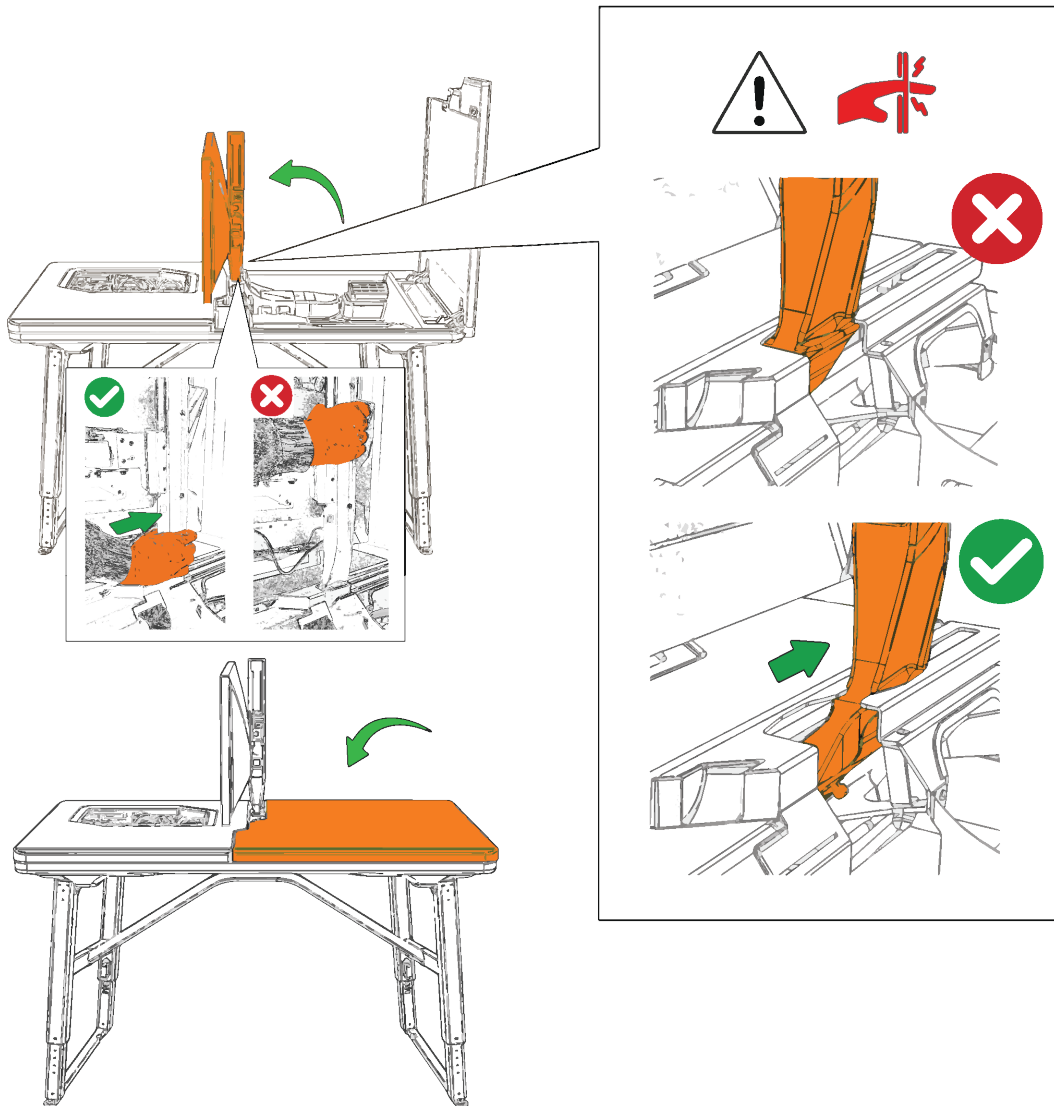


Figure 9: Lift the monitor into the upper position.

NOTICE

NOTICE

Ensure that all cables are routed correctly and do not interfere with moving parts before powering on the system.

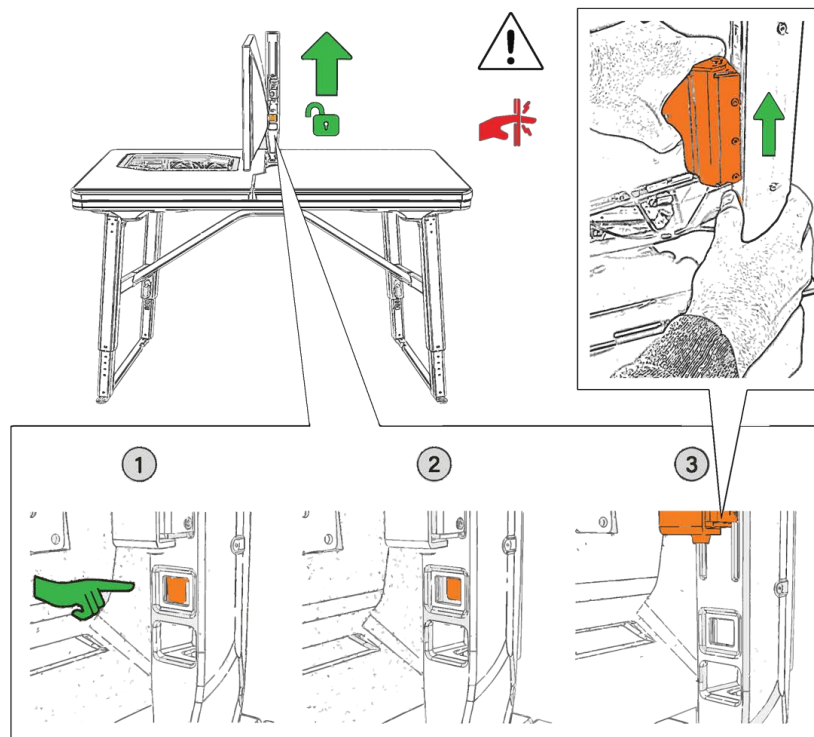


Figure 10: Unlock and adjust monitor height if required.

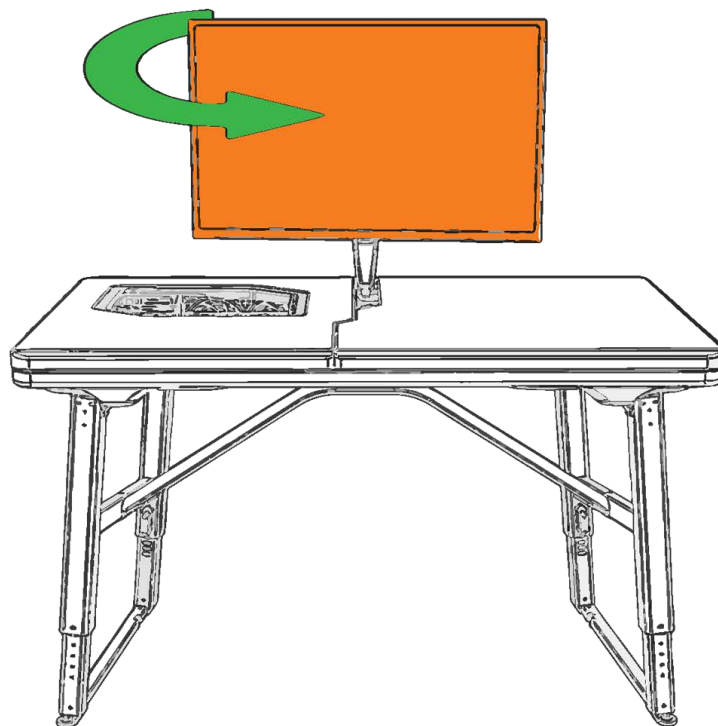


Figure 11: Rotate the monitor into the gaming position.

BASIC CONNECTIONS AND POWER-UP

External connections

At the side or top panel of the desk you will find (depending on configuration):

- AC power inlet,
- network (RJ45) connector,
- user I/O (USB, audio and other front-panel ports).

A typical front-panel configuration provides:

- 2 × USB 3.0,
- 2 × USB 2.0,
- AUX in/out,
- USB-C (USB 2.0 or 3.x),
- power LED,
- power button.

Connect the AC cord to a grounded outlet and network to a trusted switch.

Power-up sequence

1. Turn on the main power switch, if present on the power strip or PSU cable.
2. Press the PC power button on the desk top or inside the compartment, depending on configuration.
3. Wait for the operating system to load before starting applications or games.

NOTICE**NOTICE**

If liquid cooling is used, turn the computer on only when the desk is in the normal gaming position (legs unfolded, desk upright).

DANGER**DANGER**

⚠ Do not open the electronics compartment while the system is powered.

SHUTDOWN AND CLOSING

Normal shutdown

1. Shut down the operating system from the Start menu or equivalent.
2. Wait until all fans stop and indicator LEDs turn off.
3. Turn off the main power switch or disconnect the AC cord if required.

Closing the lid

Ensure that:

- all loose items (headset, mouse, keyboard) are removed from inside,
- no cables cross the hinge or gasket areas,
- the monitor is in its transport position.

Then lower the lid carefully until it seats on the frame.

WARNING**WARNING**

⚠ Do not press on one corner only. Apply light, even pressure with both hands to avoid twisting the lid.

If a lid lock is installed, engage it after closing.

COMPONENT INSTALLATION OVERVIEW


Access for technicians

The following tasks are intended for trained technicians or system integrators:

- motherboard installation or replacement,
- GPU or add-in card changes,
- storage and memory upgrades,
- PSU or cooling system replacement.

DANGER

DANGER

 Disconnect AC power and wait at least 30 seconds before touching any internal component.

Motherboard and GPU area

The main component bay is located under the lid, on the right-hand side. The design supports standard micro-ATX or Mini-ITX boards (depending on model) and full-size GPUs with a horizontal mounting bracket via a PCIe 4.0 x16 riser.

Service recommendations

For rental fleets and high-duty venues we recommend:

- visual inspection of fans and cables every 3 months,
- dust cleaning with compressed air every 6–12 months,
- full functional test after any transport damage.

MAINTENANCE AND CLEANING

Desk surface

Clean the playing surface with a soft cloth and mild, non-abrasive cleaner. Do not use solvents or alcohol on plastic parts or rubber seals, as these may cause discoloration or material degradation over time.

Airflow and dust

Keep intake and exhaust areas free from dust buildup. If dust is visible on fan grills or filters, clean with low-pressure compressed air, keeping the nozzle at a safe distance to avoid overspeeding the fans.

Setting up for storage and transportation

When setting up the desk for storage and transportation, use the provided packaging or equivalent protective materials to protect the product. Save the original package whenever possible, especially for long-distance transport. For detailed transport instructions, see Section 6.

Long-term storage

If UNEVN BASE is stored for long periods:

- keep it in a dry, temperature-stable room,
- disconnect the AC cord,
- avoid stacking heavy objects on top of the lid,
- ensure the monitor (if integrated) is in the transport position.

TECHNICAL SPECIFICATIONS



Physical Dimensions	
Desk dimensions (in use)	114 cm (W), 68 cm (D), adjustable height 64–84 cm (approx. 25–33 in). Internal component window: 363 × 276 mm.
On-the-go dimensions (closed)	114 cm (W), 68 cm (L), 23 cm (H).
Weight	BASE only: approx. 20 kg. With PC components and accessories: approx. 27 kg.

Adjustability & Ergonomics	
Desk height range	445–810 mm (1 ft 6 in – 2 ft 8 in).
Worksurface tilt	Front edge can be lowered to improve wrist and arm ergonomics.
Monitor adjustment	Depth: 20–45 cm Height: 30–150 mm Side shift: ±10 cm Rotation: ±90° Tilt: +30° / -10°

Connectivity	
Top panel / front I/O	2 × USB 3.0, 2 × USB 2.0, AUX in/out, USB-C (USB 2.0/3.x), power LED, power button, DisplayPort 1.4 passthrough (monitor dependent).
Internal connectors	Direct motherboard access plus 2 × internal USB-A 3.x ports for permanent peripherals (e.g. wireless receivers).

Monitor & Peripheral Compatibility	
Monitor (inside desk)	Supports screens up to 27 in. Max internal monitor housing size: 625 × 400 × 63 mm. Standard VESA 75 / 100 supported.
Keyboard storage	Max 445 × 170 × 45 mm (recommended: TKL layout).
Mouse storage	Max 135 × 55 × 40 mm.

Internal Chassis Specifications

Internal case volume	Approx. 375 × (60–120) × 400 mm (Width × Height × Depth).
Expansion	PCIe 4.0 x16 riser assembly (horizontal GPU orientation). 3 × expansion slots. 1 × 2.5" SSD slot (10.5 mm max drive height).
Motherboard support	mATX or Mini-ITX (horizontal orientation).
Cooling	CPU air cooler max height: 69 mm. Liquid cooler max size: 290 × 125 × 65 mm. Desk includes 2 × 80 mm internal fans.
Power supply	Supports SFX and SFX-L PSUs (up to 125–130 mm length, depending on model).
GPU compatibility	Mini-ITX build: GPUs up to 335 × 170 × 65 mm. mATX build: GPUs up to 335 × 140 × 65 mm.

Other Features & Main Materials

Other features	Removable motherboard tray; tempered glass window; LED strips (3 pcs, 88, 88 and 6 LEDs); RGB control from OS via 10-channel LED hub with external power, connectable to motherboard aRGB header.
Desk part	PVC–PUR composite, tempered glass.
Inside the desk	Polyester felt fabric; aluminium 6061 sheet (anodized/painted); plastic parts.
Monitor arm	Glass-fibre reinforced polyamide 6 (PA6).
Legs	Aluminium 6061-T6 and plastic components.

Environmental & Compliance

Operating environment	Indoor use only; standard office temperature and humidity. Keep all ventilation pathways clear.
Certifications	CE (EU), FCC (USA), UKCA (UK), RCM (AU/NZ), RoHS and WEEE compliant.

COMPLIANCE AND CERTIFICATIONS

UNEVN BASE is designed to meet the requirements of relevant regional safety and electromagnetic compatibility regulations, including:

- CE (European Union),
- UKCA (United Kingdom),
- FCC Part 15 (United States),
- RoHS (Restriction of Hazardous Substances),
- WEEE (Waste Electrical and Electronic Equipment),
- RCM (Australia / New Zealand).

Compliance labels are affixed to the product. Do not remove, cover or modify these labels. For country-specific information, contact UNEVN or your reseller.

ENVIRONMENTAL INFORMATION AND DISPOSAL

At the end of its life cycle, UNEVN BASE and its electronic components must be recycled according to local regulations.

- Do not dispose of electronic waste in household trash.
- Follow local WEEE and electronics recycling procedures.
- Separate batteries from wireless peripherals and recycle them appropriately.
- Metal and plastic parts should be delivered to approved recycling facilities.

UNEVN and its partners may offer take-back or recycling programs in certain regions. Contact UNEVN support for more information.

WARRANTY AND SUPPORT

UNEVN BASE is covered by a limited manufacturer warranty against defects in materials and workmanship under normal use and according to the intended purpose described in this manual. Warranty periods may vary depending on region, sales agreement and usage model. Unless otherwise agreed in writing, UNEVN BASE is typically covered by a manufacturer warranty of up to thirty-six (36) months for standard use and up to twenty-four (24) months for rental, leasing and commercial hire applications, as described in Section 1.

Warranty coverage

The warranty typically covers:

- structural parts of the desk frame and lid,
- hinges, leg mechanisms and internal mounting brackets,
- manufacturing defects affecting safety or normal operation.

Internal PC components (motherboard, GPU, PSU, storage, memory) are covered under their respective manufacturers' warranties unless otherwise agreed in writing.

Warranty exclusions

The warranty does not cover:

- damage caused by misuse, accidents or improper transport,
- damage due to operation outside the specified conditions,
- modifications or repairs performed by unauthorised parties,
- normal cosmetic wear such as minor scratches or paint wear,
- damage caused by incorrect installation of third-party components,
- products used for rental purposes beyond the scope or duration explicitly covered in the applicable sales or rental agreement,
- functionality or behaviour of integrated LED lighting where the operation depends on third-party or system software (e.g., RGB control software, operating system configuration, or external lighting control utilities).

For detailed regional terms, refer to your sales agreement or local reseller policy.

Limitation of liability

UNEVN is not liable for:

- loss of data or software,
- indirect or consequential damages, such as lost revenue or downtime,
- damage arising from improper installation of components or accessories,
- use of the product in applications where failure could lead to personal injury beyond what is covered by mandatory law.

Liability under this warranty is limited to repair or replacement of defective parts or, at UNEVN's discretion, replacement of the product with an equivalent model. Nothing in this warranty limits rights that cannot be excluded under applicable mandatory law.

Support and contact

For warranty questions, service procedures and spare parts, contact:

UNEVN Oy

contact@unevn.gg

www.unevn.gg

When contacting support, include:

- product name and serial number,
- a short description of the issue and observed behaviour,
- photos or video if relevant,
- purchase date and reseller information.

ABOUT UNEVN

UNEVN designs and builds modular esports workstations and solutions for high-performance gaming environments around the world. Our products are used by schools, esports venues, brands and event organizers to create professional setups quickly and reliably.

For more information about products, services and partnerships, visit:

www.unevn.gg